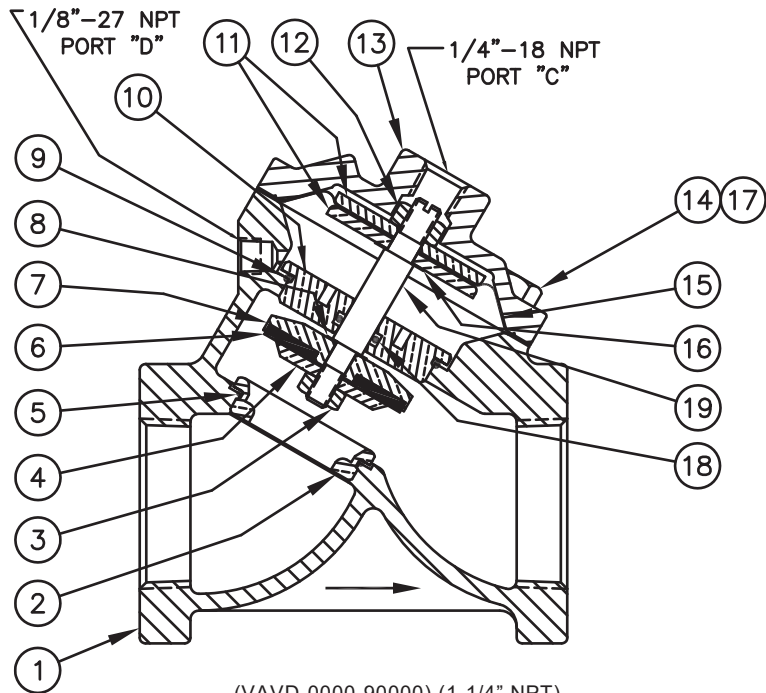
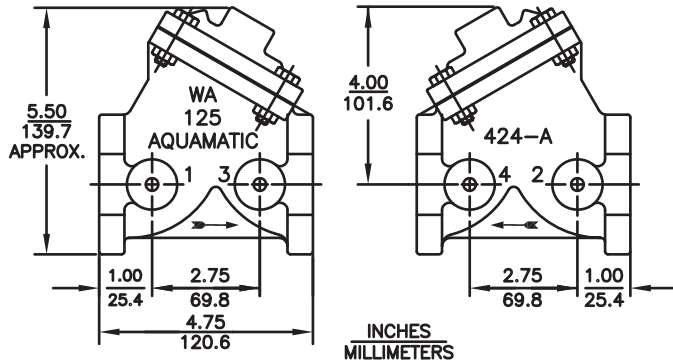


1-1/4" & 1-1/2" AIR VALVE - STANDARD MODEL



(VAVD-0000-90000) (1-1/4" NPT)
1072475 (VAVE-0000-90000) (1-1/2" NPT)

NORMALLY OPEN (STANDARD)

REPAIR PARTS KITS	
DESCRIPTION	PART NO.
DIAPHRAGM & SEALS KIT CONSISTS OF ITEM NO'S 3,5,6,8,9,12,15,16,18	1070107 (AV4-RA) 1070502 (AV4-RAHT)
	INCLUDES DISC 1074234 (424-JH), DIAPHRAGM 1074222 (424-FB)
INT. PARTS KIT (NORM. OPEN) CONSISTS OF STANDARD ITEM NO'S 4,7,10,11(2),19	1070119 (424-RF)
SEAT (ITEM NO. 2)	1074245 (424-MO)

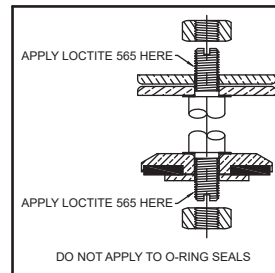
ASSEMBLY TOOLS	
DESCRIPTION	PART NO.
FOR INSTALLATION & REMOVAL OF SEAT (ITEM #2) (TOOL NOT SHOWN)	1074247 (424-MT)
FOR INSTALLATION & REMOVAL OF SHAFT GUIDE (ITEM #10) (TOOL NOT SHOWN)	1074227 (424-GT)

NO.	DESCRIPTION	STD	PART NO.	QTY.
1	BODY CAST IRON	1-1/4" NPT	1074196 (424-A5)	1
		1-1/2" NPT	1074199 (424-A6)	
2	SEAT (REQ'S ASSY TOOL)	BRASS	1074245 (424-MO)	1
3	HEX NUT (1/4-28)		1263852	2
4	DISC PLATE	BRASS	1074237 (424-K)	1
5	O-RING	FKM	1071793 (ORV-024)	1
6	DISC	HYCAR	1074234 (424-JH)	1
		AFLAS		
		GLASS FITTED TEFLON	1074235 (424-JT)	
7	DISC HOLDER	BRASS	1074229 (424-H)	1
8	GASKET	COPPER	1073948 (200-GG)	1
9	O-RING	FKM	1071806 (ORV-125)	1
10	SHAFT GUIDE (REQ'S ASSY TOOL)	BRASS	1074225 (424-GGO)	1
11	DIAPHRAGM PLATE	BRASS	1074220 (424-D)	2
12	HEX NUT (5/16-28)		1263853	1
13	CAP	CAST IRON	1074202 (424-C)	1
14	HEX SCREW 1/4"-20	PLATED STEEL	1072399 (SCZ-0007)	4
15	DIAPHRAGM	BUNA N	1074222 (424-FB)	1
		FKM	1074224 (424-FV)	
16	GASKET	COPPER	1074252 (424-R)	
17	HEX NUT 1/4"-20	PLATED STEEL	1071656 (NUZ-0008)	4
18	O-RING	AFLAS	1071661 (ORA-110)	1
19	SHAFT (NORMALLY OPEN)		1074239 (424-L)	1

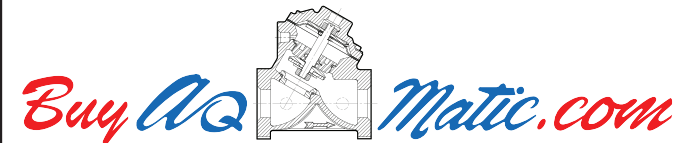
NOTE:

1. AMERICAN NATIONAL STANDARD TAPER PIPE
THREADS (NPT) PER ANSI B2.1 - 1968
2. VALVES AVAILABLE WITH B.S.P.T. END CONNECTIONS.

SEE REVERSE SIDE FOR
CONFIGURATION OPTIONS



FORM NO. 1077636

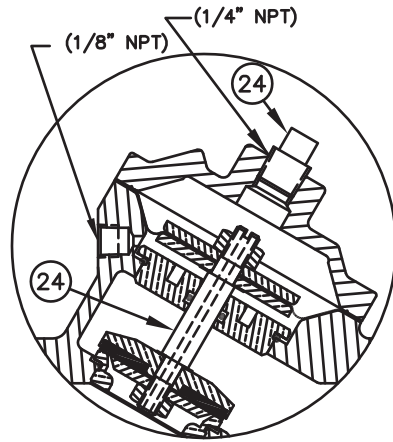


SERIES VAV4 DIAPHRAGM VALVE
1-1/4" & 1-1/2" NPT OR BSPT

DRAWN	JWB	DATE	14MAY01	DRAWING NO.	1084040
-------	-----	------	---------	-------------	---------

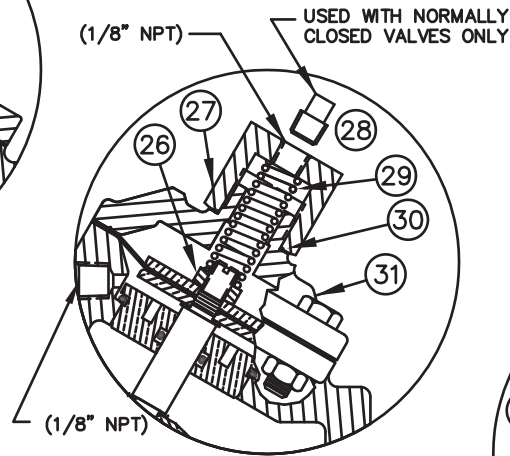
1-1/4" & 1-1/2" AIR VALVE - OPTIONAL MODELS

NO.	DESCRIPTION	STD	PART NO.	QTY.
NORMALLY CLOSED MODEL				
24	PIPE PLUG (1/4" NPT)	PLATED STEEL	* 1071918 (PLZ-0008)	1
25	SHAFT (NORMALLY CLOSED)		* 1074241 (424-LL)	1
SPRING ASSIST CLOSED MODEL				
26	CENTERING NUT		* 1074276 (424-X)	1
27	RETAINING NUT	BRASS	* 1074274 (424-TT)	1
28	PIPE PLUG (1/8" NPT)	BRASS	* 1071903 (PLZ-0007)	1
29	SPRING		* 1074270 (424-SS)	1
30	O-RING		* 1071674 (ORB-020)	1
31	CAP	CAST IRON	* 1074208 (424-CC)	1
SPRING ASSIST OPEN MODEL				
16	GASKET	COPPER	* 1074252 (424-R)	1
32	SPRING		* 1236766	1
33	CENTERING WASHER	BRASS	* 1074382 (424-HA)	1



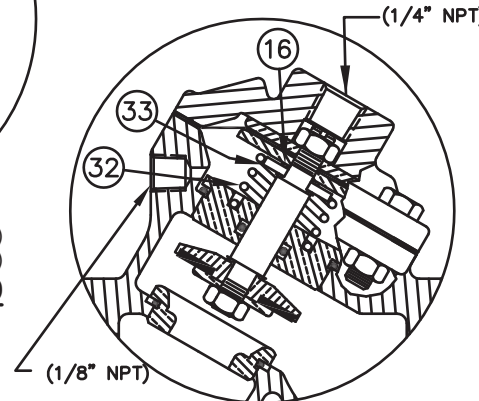
(VAVD-0030-90000) (1-1/4" NPT)
1072479 (VAVE-0030-90000) (1-1/2" NPT)

NORMALLY CLOSED



1072472 (VAVD-0002-90000) (1-1/4" NPT)
1072477 (VAVE-0002-90000) (1-1/2" NPT)

SPRING ASSIST CLOSED



1072471 (VAVD-0001-90000) (1-1/4" NPT)
1070064 (VAVE-0001-90000) (1-1/2" NPT)

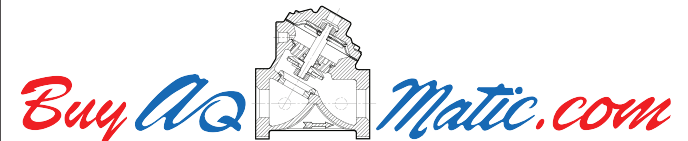
SPRING ASSIST OPEN

SEE REVERSE SIDE FOR
STANDARD NORMALLY OPEN MODEL

REPAIR PARTS KITS	
DESCRIPTION	PART NO.
INT. PARTS KIT (NORM. CLOSED) CONSISTS OF STANDARD ITEM NO'S 4,7,10,11(2),25	1070130 (424-RG)
INT. PARTS KIT (SPRING ASSIST CLOSED) CONSISTS OF STANDARD ITEM NO'S 26,29,30	1074265 (424-SC)
INT. PARTS KIT (SPRING ASSIST OPEN) CONSISTS OF STANDARD ITEM NO'S 16,32,33	1074268 (424-SO)

CONVERSION KITS	
DESCRIPTION	PART NO.
CONVERSION KIT (SPRING ASSIST CLOSED) CONSISTS OF STANDARD ITEM NO'S 26 - 31	1074266 (424-SCC)
CONVERSION KIT (SPRING ASSIST OPEN) CONSISTS OF STANDARD ITEM NO'S 10,16,32,33	1074269 (424-SOC)

FORM NO. 1077636



SERIES VAV4 DIAPHRAGM VALVE 1-1/4" & 1-1/2" NPT OR BSPT

DRAWN	JWB	DATE	14MAY01	DRAWING NO.	1084040
-------	-----	------	---------	-------------	---------